

LOW-TEMPERATURE ISOLATION BALL VALVES



Features

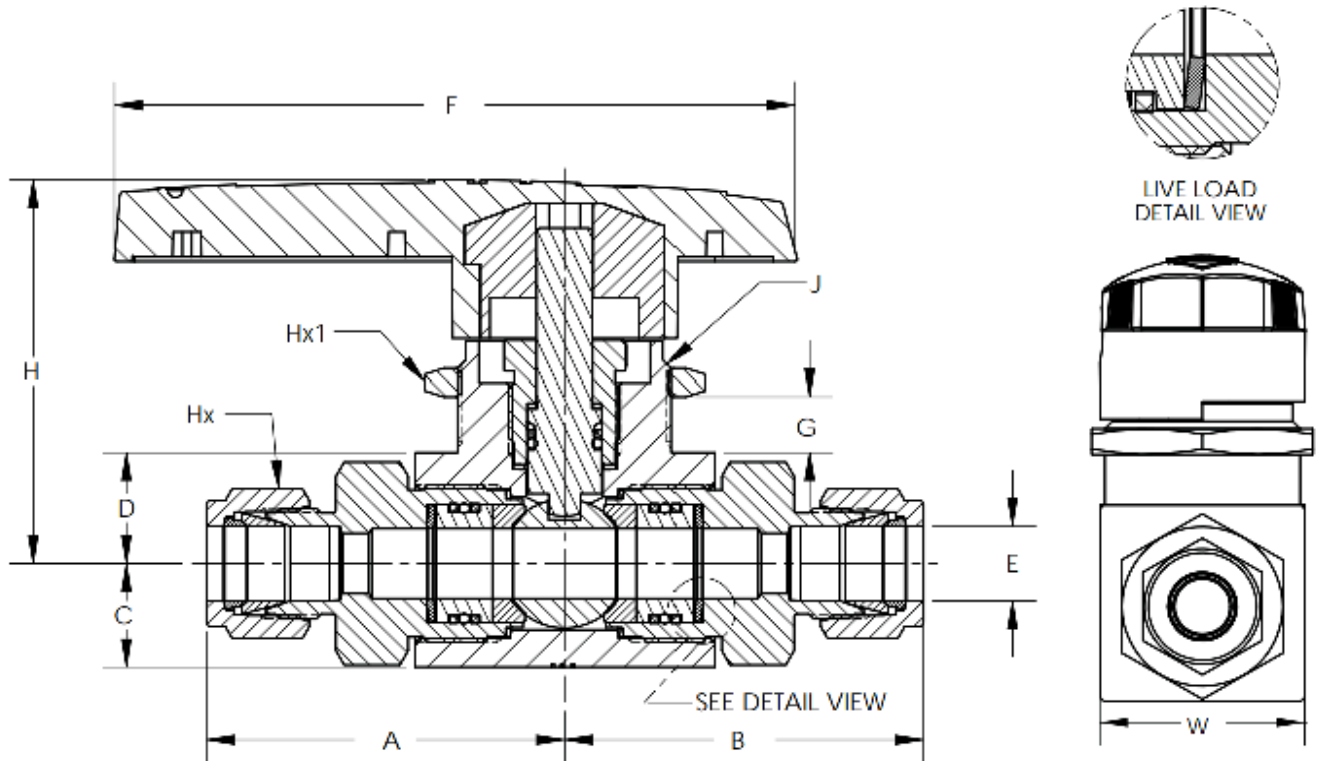
- Live-loaded seats for the leak tight operation across the entire pressure range of the valve
- PEEK seats for CNG compatibility
- Low-temperature NBR O-rings for reliable sealing over the entire temperature range
- Large stainless steel reinforced nylon directional handle for durability and ease of actuation
- One-quarter turn action

Specifications

- Temperature Range: -40 to 250 °F
- Pressure Range: Up to 6000 psig @ 250 °F
- Flow Coefficient: Up to 7.2
- Orifice: Up to 0.472 in.
- Body Material: 316 SS
- Seat material: PEEK
- O-ring Material: Low-Temperature NBR
- End Connections: Duolok 2-ferrule tube fittings
- Meets ASTM B31.3 requirements

Unique Benefits

Low-temperature design • High-cycle operation • CV: up to 7.2 • Live-loaded seats



Part Number and Dimensional Information																
Part Number	Connection	Size	Cv	Orifice	A	B	C	D	E	F	G	H	Hx	Hx1	J	W
L36PD-316	Fractional Tube Fittings	3/8	4.5	0.250	1.86	1.86	0.44	0.44	0.25	2.50	3/16	1.53		7/8	0.78	1.00
L38PD8-316		1/2	7.2	0.406	2.40	2.40	0.70	0.75	0.50	4.56	3/8	2.59	7/8	1 5/8	1.50	1.50
L38PD12-316		3/4	7.1	0.472	2.40	2.40			0.75				1 1/8			
L38PD16-316		1	6.5	0.472	2.55	2.55			1.00				N/A*			

A Refreshingly New Idea for Clean Fuel Transportation