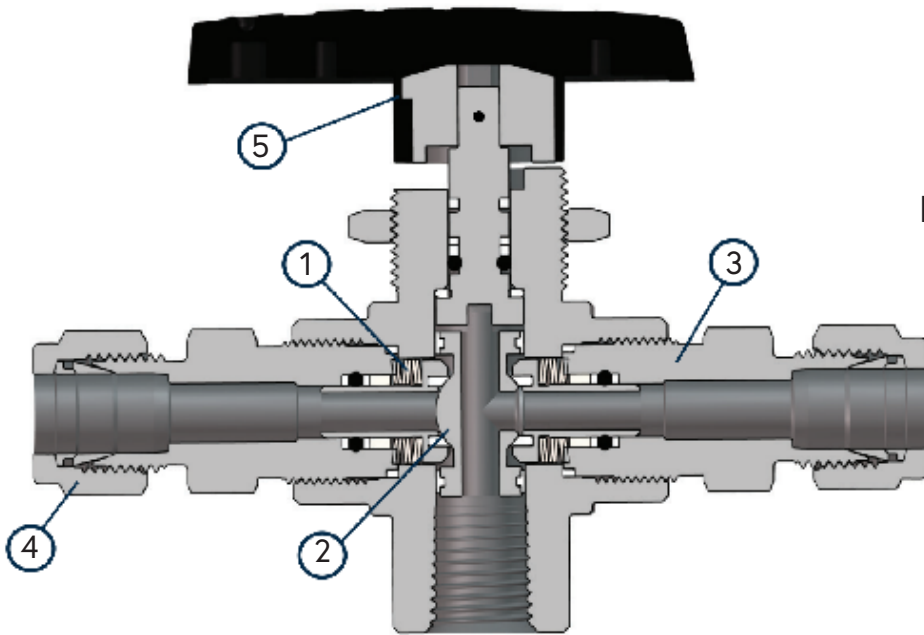


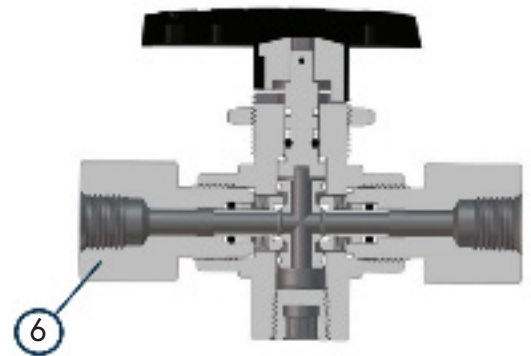


# TB Series Trunnion Ball Valves

## TB/LTB Series 3-Way



## HTB/HLTB Series 2-Way



- ① **Spring-Loaded Seats and Carriers**
  - Leak-tight seal in high and low pressure applications
  - Compensate for seat wear
  - Fully supported seats for higher cycle-life
- ② **Bottom-Loaded Trunnion Ball**
  - Blowout-proof ball and stem for safety and reliability
  - Ensures proper alignment of the ball with the seat
  - Lower actuation torque at high differential pressures
  - Easy maintenance
- ③ **End Screw Construction**
  - Wide variety of end connection types and size combinations

- ④ **Three Tube Fitting Designs**
  - Double and single ferrule designs
  - Interchangeable with Swagelok®, Hoke Gyrolok® and Parker CPI® tube fittings
- ⑤ **Durable Directional Handle**
  - Nylon handle with 316 stainless steel insert enhances strength and compatibility
  - Handle and stem flats indicate orifice position
- ⑥ **10 PSI NPT End Connection Available**

A Refreshingly New Idea for Clean Fuel Transportation

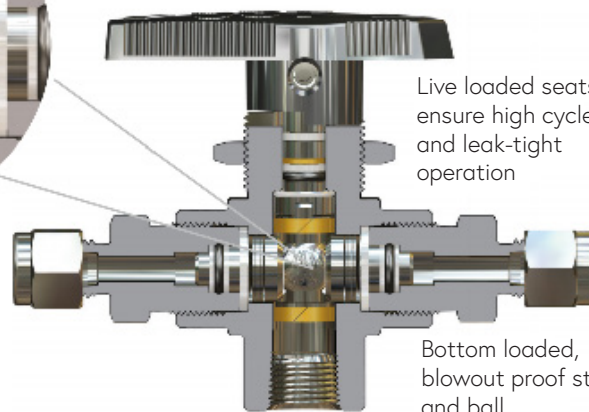
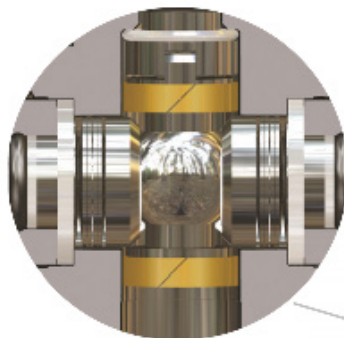
1333 Highland Road, Suite P | Macedonia OH 44056 | 330.998.7380 | insight-fuel.com



# TB Series Trunnion Ball Valves

## SERIES COMPARISON

Series	TB	HTB	LTB	HLTB
Maximum Working Pressure				
316 SS	6000 (413 bar)	10000 (689 bar)	6000 (413 bar)	10000 (689 bar)
Alloy 400	5000 (344 bar)		5000 (344 bar)	
Temperature Range	0 to 450°F (-17 to 232°C)	0 to 450°F (-17 to 232°C)	-40 to 200°F (-40 to 93°C)	-40 to 200°F (-40 to 93°C)
Maximum Cv				
Two-way	1.0 to 1.6*	1.0 to 1.6*	1.0 to 1.6*	1.0 to 1.6*
Three-way	0.75	0.75	0.75	0.75
Flow Patterns	2-way, 3-way	2-way, 3-way	2-way, 3-way	2-way, 3-way
Seat Material	PCTFE, PEEK	PEEK	PCTFE, PEEK	PEEK
O-rings	FKM	FKM	Low-Temp, NBR	Low-Temp, NBR
End Connection Types	Tube Fittings, NPT, BSP, SAE, ORFS	Tube fittings, FNPT	Tube Fittings, NPT, BSP, SAE, ORFS	Tube fittings, FNPT
Tube Fittings Sizes	1/4 to 1/2 in. (6 to 12 mm)	1/4 to 1/2 in. (6 to 12 mm)	1/4 to 1/2 in. (6 to 12 mm)	1/4 to 1/2 in. (6 to 12 mm)
Pipe Sizes	1/8, 1/4 and 1/2 in.	1/8 and 1/4 in.	1/8, 1/4 and 1/2 in.	1/8 and 1/4 in.
O-ring Face Seal (ORFS)	1/4 and 3/8	-	1/4 and 3/8	-
SAE Straight Thread	#4 to #8	-	#4 to #8	-



Live loaded seats ensure high cycle-life and leak-tight operation

Bottom loaded, blowout proof stem and ball

A Refreshingly New Idea for Clean Fuel Transportation

1333 Highland Road, Suite P | Macedonia OH 44056 | 330.998.7380 | insight-fuel.com



# TB Series Trunnion Ball Valves

## SPECIAL ORDERS

(basic ordering number)

(options)



H83 X P D6 6PF -316 -GR -NBR -XP97

**A VALVE DESIGN**  
 83 Standard  
 H83 High-Pressure  
 L83 Low-Temperature  
 LH83 Low-Temperature, High-Pressure

**B BODY TYPE**  
 (Blank) 2-Way  
 X 3-Way

**C SEAT MATERIAL<sup>4</sup>**  
 P PEEK  
 K PCTFE

**G OPTIONS<sup>1</sup>**

**HANDLES**  
 (Blank) Black  
 -GR Green  
 -RD Red  
 -BL Blue  
 -YW Yellow  
 -OG Orange  
 -NH No Handle

**SPECIAL CLEANING**  
 -XP98 Oxygen compatible lubricant, per ASTM G93, Level C and CGA G-4.1

**O-RINGS<sup>3</sup>**  
 (Blank) FKM  
 -NBR Nitrile  
 -FFKM1 Chemraz  
 -FFKM2 Kalrez

**OTHER OPTIONS**  
 -LD Locking Hardware  
 -FP6 #6 SAE Female Bottom Port

**D + E**

D	Duolok® Tube Fitting
U	Unilok® Tube Fitting
G	Griplok® Tube Fitting
PF	Female NPT
PM	Male ISO Tapered
FRT	Female ISO Tapered
MST	Male SAE Straight
FST	Female SAE Straight
S	Male O-ring Face Seal (SAE J1453)
SS	Female O-ring Face Seal (SAE J1453)

### FRACTIONAL SIZES:

1	1/16 in.
2	1/8 in.
4	1/4 in.
6	3/8 in.
8	1/2 in.
12	3/4 in.

### METRIC SIZES:

M6	6mm
M8	8mm
M10	10mm
M12	12mm

**F BODY MATERIAL**  
 -316 316 Stainless Steel  
 -M Alloy 400

A Refreshingly New Idea for Clean Fuel Transportation

1333 Highland Road, Suite P | Macedonia OH 44056 | 330.998.7380 | insight-fuel.com